



- Product Purity.
- Greater Security.
- Added Value.



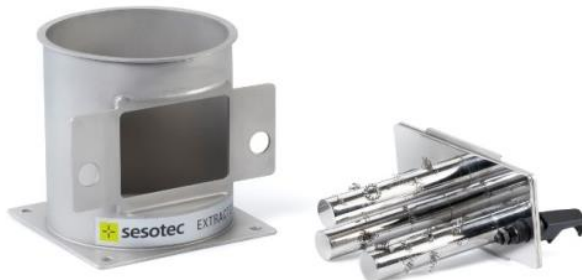
## **EXTRACTOR**

Magnetic Separator for bulk material columns and free-fall application

# EXTRACTOR



*EXTRACTOR-SE*



*EXTRACTOR-K*



*EXTRACTOR-J*

- ✓ Magnetic separator for bulk material column and free-fall applications
- ✓ Sturdy construction
- ✓ Best magnetic performance by using high-energy neodymium magnet material
- ✓ EASY CLEAN version
- ✓ Short delivery time (in stock)

## **Bulk material specification**

- Dry
- Good free flowing characteristics
- No fibrous material
- Max. temperature 80°C (176°F)
- Grain size <8mm (<10mm if flaky product)

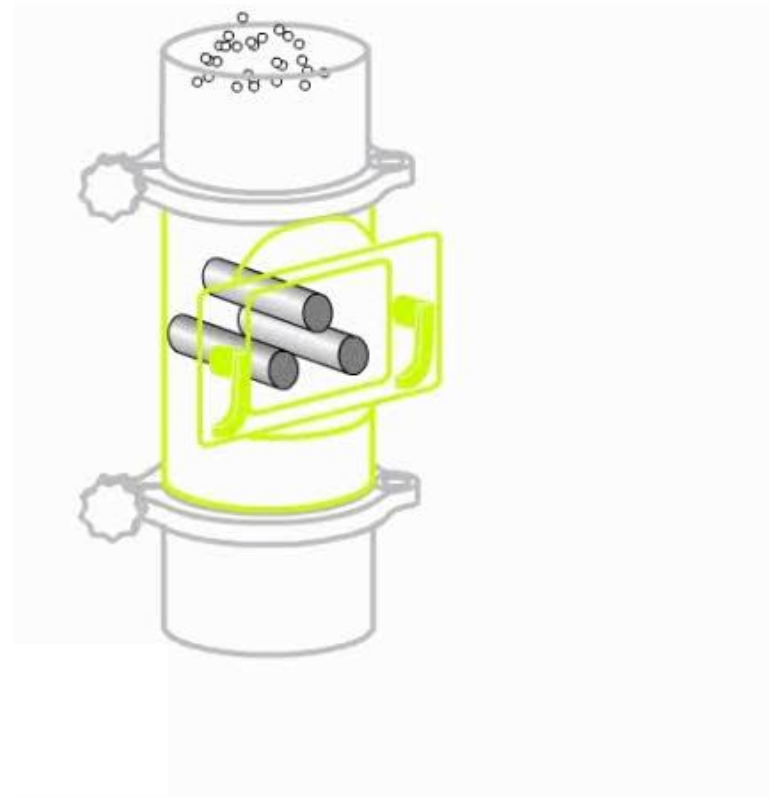
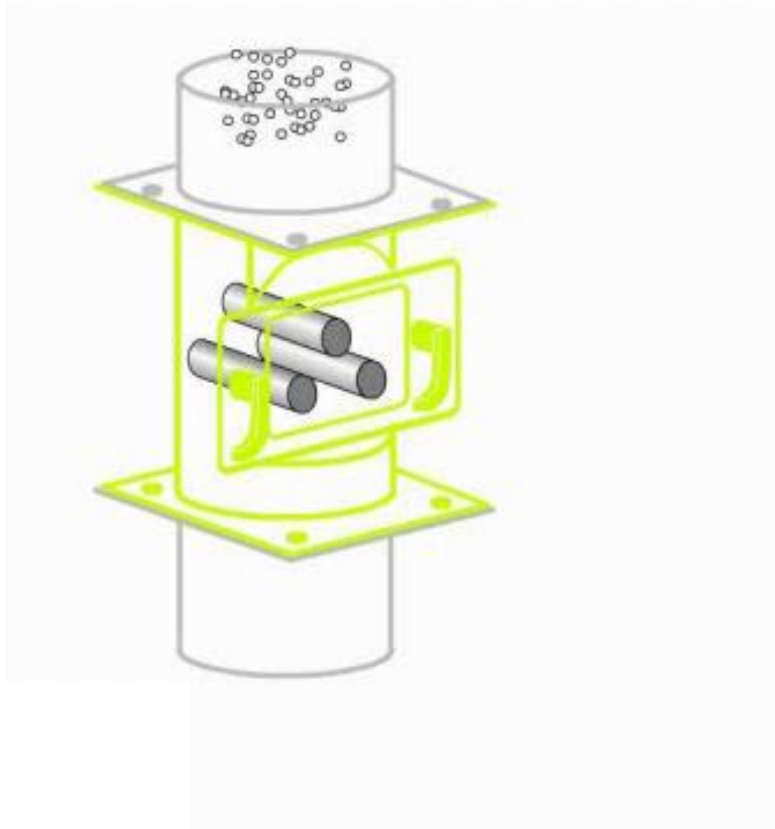


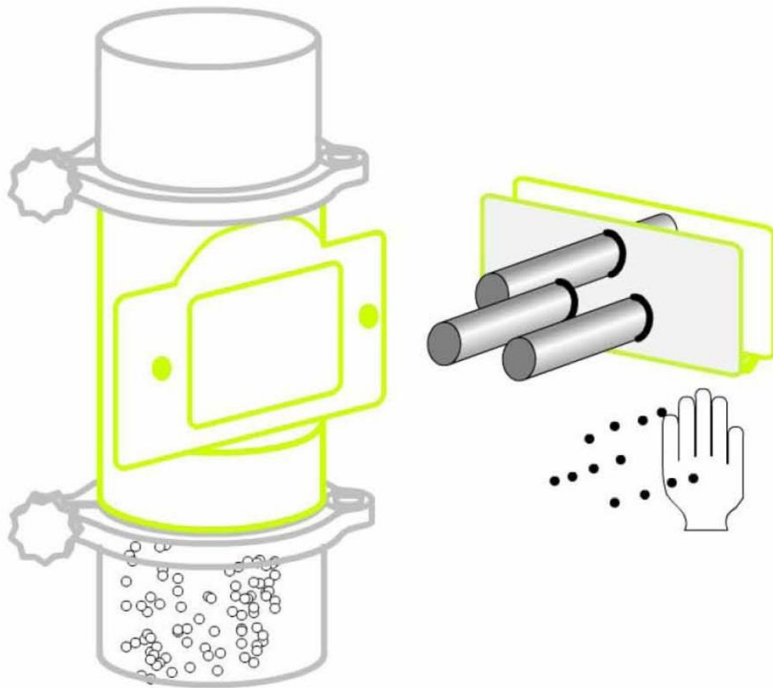
## **Installation requirements**

- Bulk material column respectively free-fall application (<500mm)
- Unpressurized
- Ideally directly before process machinery (Last Chance Control Point)

- 2 main components:
  - Housing
  - magnet insert
- Drilling detail similar to metal separator RAPID VARIO and PROTECTOR







- Stop product flow (e.g. by means of the optional slide gate)
- Remove magnet insert from housing
- Pull off the stainless steel tube assembly from the magnets  
→ EASY CLEAN
- In combination with the metal separator RAPID VARIO or PROTECTOR it will reduce its reject activities (→ saves good material)
- Fine magnetic contaminants are separated

## Standard versions

- Connection sizes Ø40mm up to Ø150mm
- Drilling detail 140x140mm or drilling detail 170x170mm or Jacob connection
- Magnet material neodymium N35

## Accessories

- Transition ring (variable design of outlet)
- Slide gate
- Adapting plates
- Blanc cover

## Special versions

- Reinforced housing (static load up to 1500kg)
- High-temperature version up to 160°C (320°F)
- Wear protection coating
- Pneumatic vibratory drive
- ATEX certified version



*EXTRACTOR-SE with reinforced housing*



*EXTRACTOR-SE with reinforced housing*

*For further information, please see technical datasheet*

## **Protection** of process machinery, e.g

- Extruders
- Injection moulding machinery
- Blow moulding machinery
- Milling equipment

## **Quality control**







*EXTRACTOR in the Combination with PROTECTOR for the protection of injection moulding machinery*

# Top performance features



EXTRACTOR-K

EXTRACTOR-SE



EXTRACTOR-J

- ✓ Reduced **installation height** (165mm)
- ✓ Completely manufactured from **stainless steel**
- ✓ Variable design of outlet (by means of a transition ring)
- ✓ **High-energy neodymium magnets** for safe separation of fine ferrous contaminations
- ✓ **EASY CLEAN** version
- ✓ Numerous **adapting plates** (to adapt the EXTRACTOR to various machineries and periphery equipment)
- ✓ Best value for money
- ✓ Short delivery time (in stock)

- ✓ **Sturdy construction** → static load up to 500kg
- ✓ **No depositing** of plastic granulate (important in case of colour or material change)
- ✓ Optimal **ferrous pre-separation** (add-on for RAPID VARIO and PROTECTOR)
- ✓ Large selection of accessories and options
- ✓ Easy handling and quick cleaning

Thank you very much for your attention.

